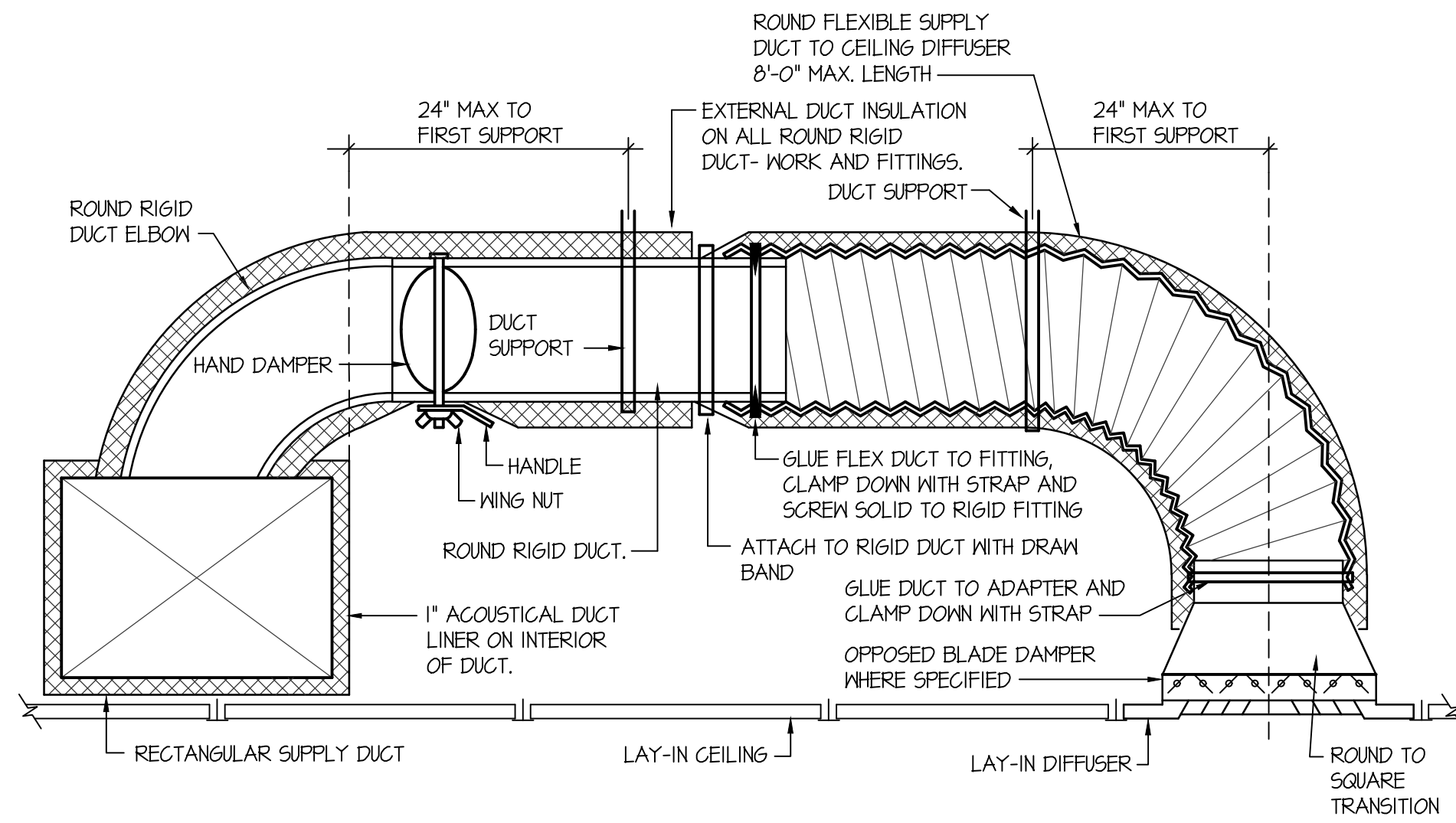
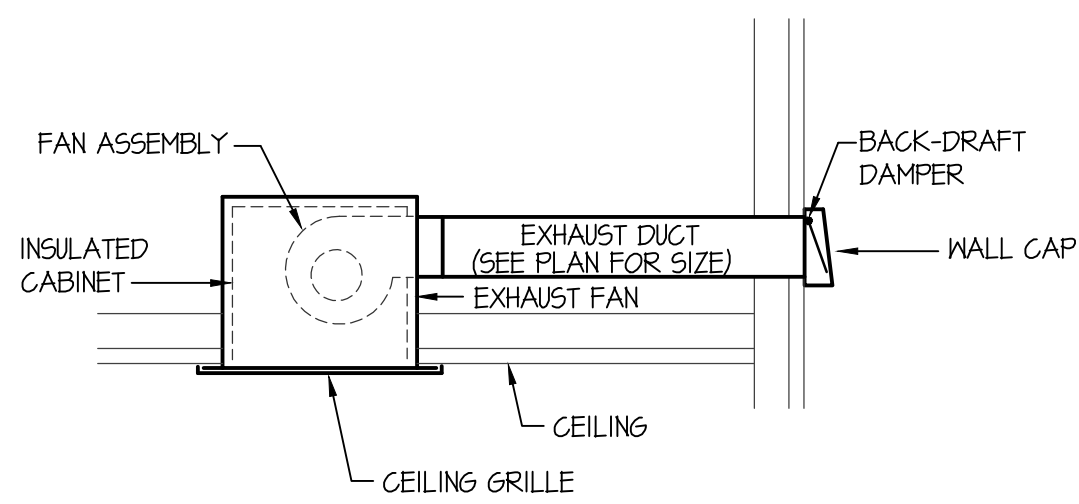


ROOF TOP UNIT																		
SYM.	CFM	OUTSIDE AIR REQUIRED	SP#	BLOWER H.P.	CHAR.	MCA	WEIGHT	GAS CONN.	GAS HEATING (1 STAGE)				COOLING			DUCT SIZE		REMARKS
									BTU IN	BTU OUT	EAT	LAT	MBH	EAT	LAT	SUPPLY	RETURN	
AH-32	1,995	200	1.0"	2.0	460/60/3	14	750LB	1/2"	65,000	52,000	65°F	48°F	57	45°F	63°F	18x18"	18x18"	LENNOX KGB06054B, SEER 14, DOWNWARD DISCHARGE, WITH ECONOMIZER & POWER EXHAUST, WITH INTEGRAL DISCONNECT AND CONVENIENCE OUTLET
AH-33	1,995	200	1.0"	2.0	460/60/3	14	750LB	1/2"	65,000	52,000	65°F	48°F	57	45°F	63°F	18x18"	18x18"	LENNOX KGB06054B, SEER 14, DOWNWARD DISCHARGE, WITH ECONOMIZER & POWER EXHAUST, WITH INTEGRAL DISCONNECT AND CONVENIENCE OUTLET

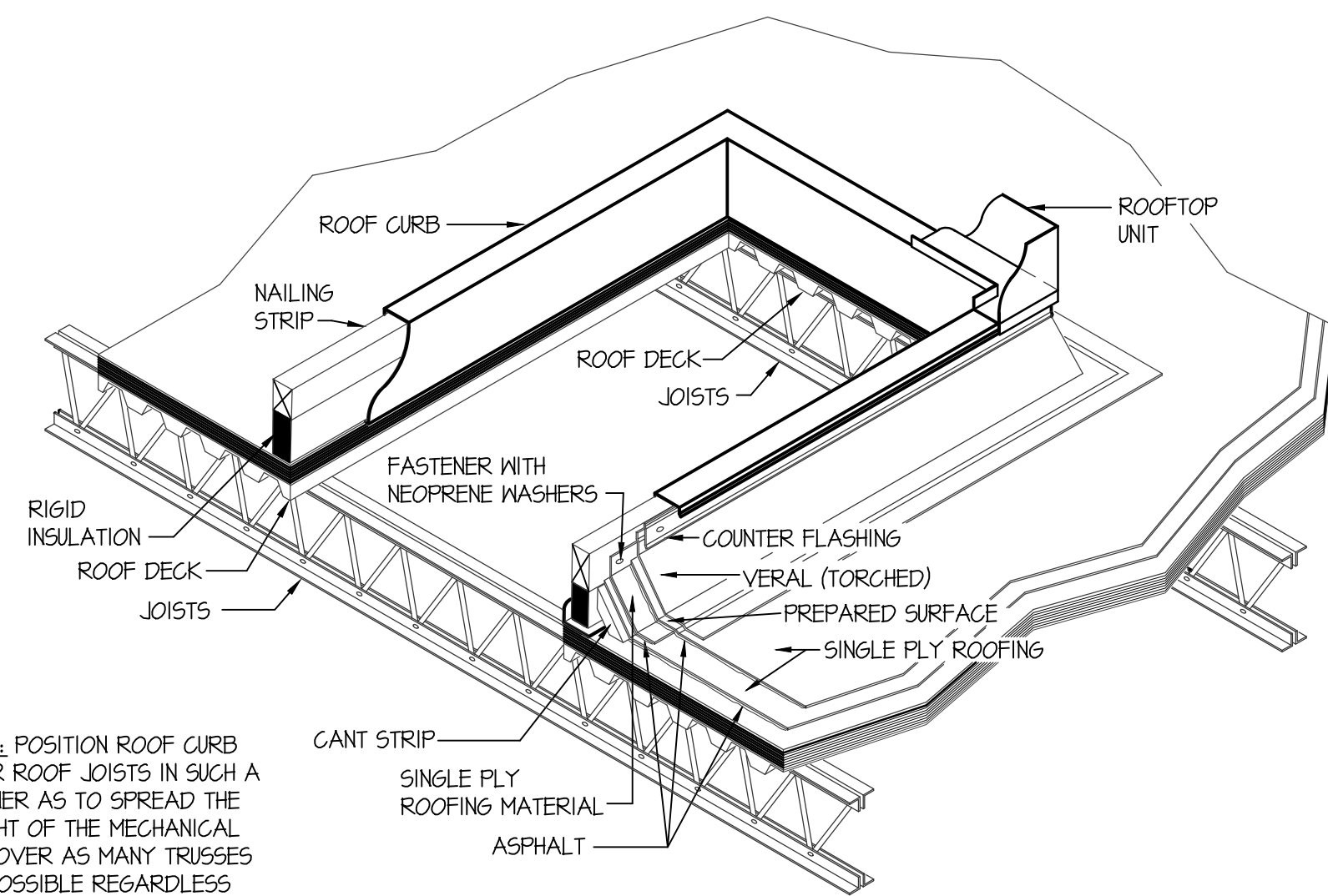
EXHAUST FAN SCHEDULE								
SYM.	TYPE	C.F.M.	S.P.E.	WATTS	CHAR.	R.P.M.	CONTROL	REMARKS
EF	CEILING MOUNTED	120	.25	100	120/60/1	750	SEE ELEC.	TWIN CITY T150 WITH BACKDRAFT DAMPER, 6"Ø EXHAUST DUCT.
EF	EXIST ROOF TOP	760	5	.25 HP	120/60/1	1725	CONTINUOUS	100 ACP 100C3B, 14x14 EXHAUST DUCT.



CEILING DIFFUSER DETAIL WITH FLEXIBLE DUCT
NO SCALE



CEILING MOUNTED EXHAUST FAN DETAIL
NO SCALE



TYPICAL ROOFTOP MOUNTING DETAIL
NO SCALE

GRILLE AND REGISTER SCHEDULE									
SYM.	TYPE	SIZE	CFM RANGE	THROW PATTERN	CONSTR.	FINISH	BALANCING DAMPER	FIRE DAMPER	REMARKS
D-1 CFM	CEILING	8x8	200	◀▶	STEEL	WHITE	YES	NA	PRICE MODEL SMD IN 24x24 LAY-IN
D-2 CFM	CEILING	9x9	150-250	◀▶	STEEL	WHITE	YES	NA	PRICE MODEL SMD IN 24x24 LAY-IN
D-3 CFM	CEILING	9x9	150-200	◀▶	STEEL	WHITE	YES	NA	PRICE MODEL SMD IN 24x24 LAY-IN
D-4 CFM	CEILING	9x9	200-250	◀▶	STEEL	WHITE	YES	NA	PRICE MODEL SMD IN 24x24 LAY-IN
D-5 CFM	CEILING	12x12	300-400	◀▶	STEEL	WHITE	YES	NA	PRICE MODEL SMD IN 24x24 LAY-IN
D-6 CFM	CEILING	9x9	150-200	◀▶	STEEL	WHITE	YES	NA	PRICE MODEL SMD IN 24x24 LAY-IN
D-7 CFM	CEILING	12x12	250	◀▶	STEEL	WHITE	YES	NA	PRICE MODEL SMD IN 24x24 LAY-IN
RG-1 CFM	HIGH SIDEWALL GRILLE	10x8	100	NA	STEEL	WHITE	YES	NA	PRICE MODEL 520D AT 0 DEGREE DEFLECTION
RG-1	CEILING	20x20	750-1000	NA	STEEL	WHITE	NA	NA	PRICE MODEL 535 IN 24x24 LAY-IN
RG-2	CEILING	8x8	50-150	NA	STEEL	WHITE	NA	NA	PRICE MODEL 535 IN 24x24 LAY-IN
RG-3	CEILING	12x12	450	NA	STEEL	WHITE	NA	NA	PRICE MODEL 535 IN 24x24 LAY-IN
EX-1	CEILING	10x10	160-200	NA	STEEL	WHITE	NA	NA	PRICE MODEL 535 IN 24x24 LAY-IN
WC-1	WALL CAP	6"Ø	120	NA	ALUM	---	NA	NA	TWIN CITY MODEL 643 WITH INSECT SCREEN & BACK-DRAFT DAMPER

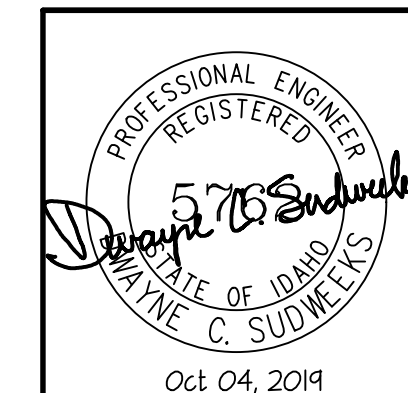
A NEW ADDITION FOR:

GLANBIA
IDAHO

MECHANICAL DETAILS AND SCHEDULES

Laughlin Ricks Architecture
architecture/planning

935 Shoshone Street North • Twin Falls, Idaho 83301
(208) 736-8050 Fax: (208) 733-0950



Engineered Systems Associates
1355 EAST CENTER
POCATELLO, IDAHO 83201
PHONE: (208) 233-0501
FAX: (208) 233-0529
EMAIL: esa@engsystems.com
ESA JOB NUMBER: 19052

DATE: _____
Drawn: _____
Checked: _____
M2.0

Oct 04, 2019